

ARCHITECTURAL HARDWARE

Access control solutions



*Keeping people safe and secure
where they live, work and visit.*



ALLEGION™

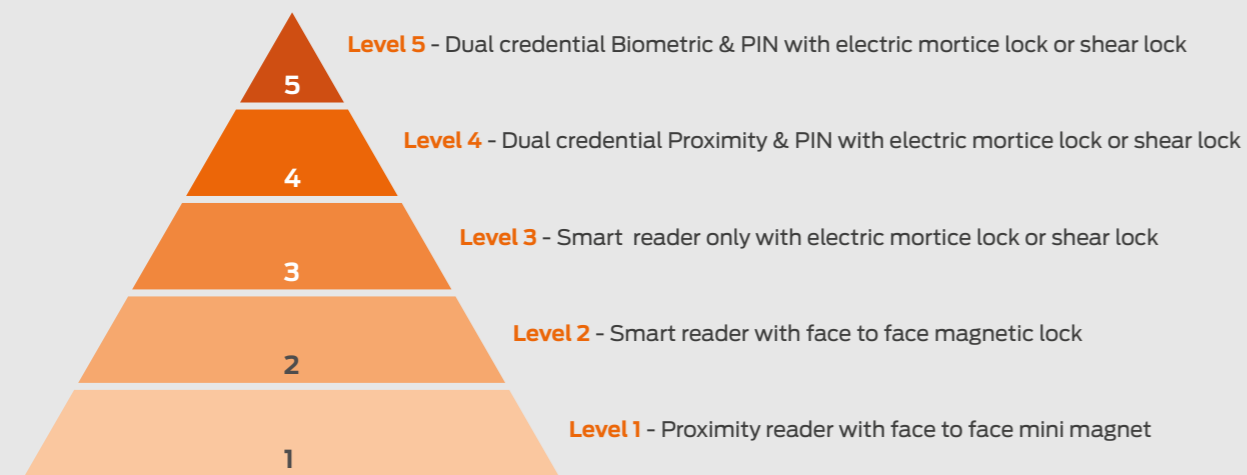
Combining electronic validation and electric door locking

Take security to the next level

From schools and hospitals, to government facilities, offices and a host of other commercial buildings, our electronic security solutions deliver innovative, yet practical solutions ranging from programmable electronic locks to wireless access control devices, biometrics and smartcard solutions. Our electronic solutions are designed to grow with you, providing exactly the level of security you need wherever you need it and can be integrated into virtually any access control or other software system on the market today.

Performance Levels

Multiple security levels are possible to suit all types of application and budget.



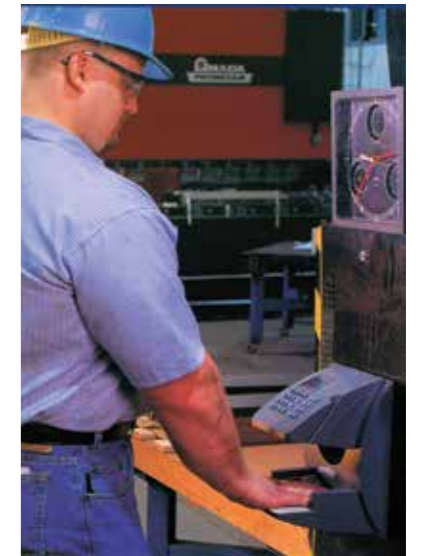
HandKey II & HandPunch - Biometric Hand Readers



The proven reliability of hand geometry biometrics used for access control and time & attendance

Features & Benefits

- Field proven reliability with hundreds of thousands of units installed
- Dual credential verification with hand reader and ID code
- Fast verification, typically less than a second
- Convenience of multiple credential options including proximity, mag stripe, barcode, HID Legacy iCLASS and MIFARE Classic
- Biometric templates and decision making reside locally, ensuring doors are always secure even if communication to the main access control PC is lost
- Outdoor enclosure and other options for external applications
- Field upgradable and expandable memory options for up to 32,512 users
- Three user definable outputs (HandKey II) to connect to auxiliary devices such as audible alarm, door locks or lighting
- Ability to write compact biometric data to card instead of a database results in higher security and unlimited user capacity
- Saves money over card based systems (HandPunch)
- Eliminates "buddy punching" (HandPunch)
- Up to 10 user definable data management keys that allow you to collect data as employees punch (HandPunch)
- Antimicrobial option for platen
- Hand outline option for platen



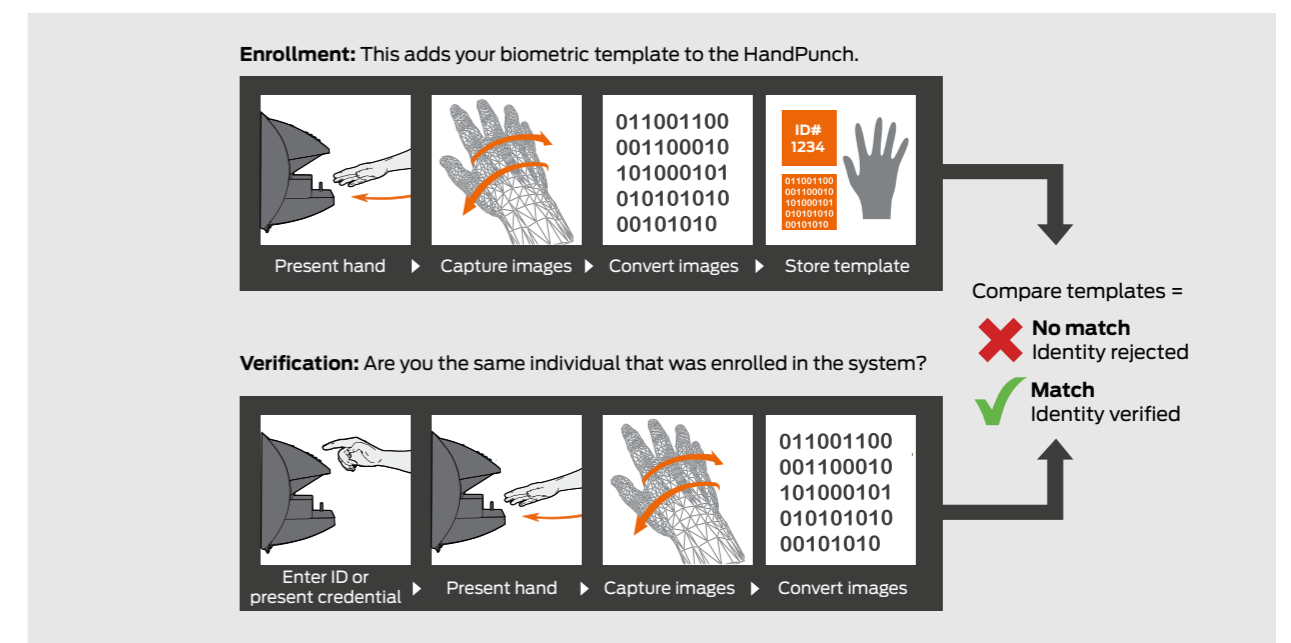
Biometrics, hand geometry and privacy

The Schlage Handkey II and HandPunch readers use over 90 distinct measurements of the hand to verify the user's identity in under 1 second. The HandKey/HandPunch converts the image to a 9-byte numerical template which is a mathematical representation of the size and shape of the hand. The numerical template is stored in a memory location which is defined by the person's ID number and adjusted with each use to accommodate subtle changes.

HandKey or HandPunch

HandKey II is a complete, integrated door controller providing lock operation, request-to-exit and alarm monitoring. It can be used as a stand alone unit or as part of an integrated access control system. The biometric unit integrates easily into existing systems using the card reader emulation mode or as part of a networked system using software. HandKey is ideally suited to applications where consistent and dependable security is of prime importance.

HandPunch uses the accuracy and convenience of biometric hand reader technology for the purpose of time and attendance, offering a simple, cost effective and practical solution. Beyond a simple time clock, the HandPunch provides definable data management keys that allow data collection each time employees punch in. Each HandPunch also has the ability to control a door. Variations of HandPunch make it ideally suited to small, medium or large organisations.



HandKey II - Biometric Access Control



Technical Details

Dimensions (H W D):

296 x 225 x 217mm

Power requirements:

12 to 24V DC or 12 to 24V AC

50-60Hz 7 Watts (without options)

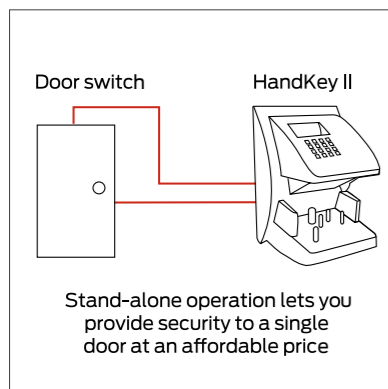
Weight: 2.4kg

Operating temperature: 0° - 40° C

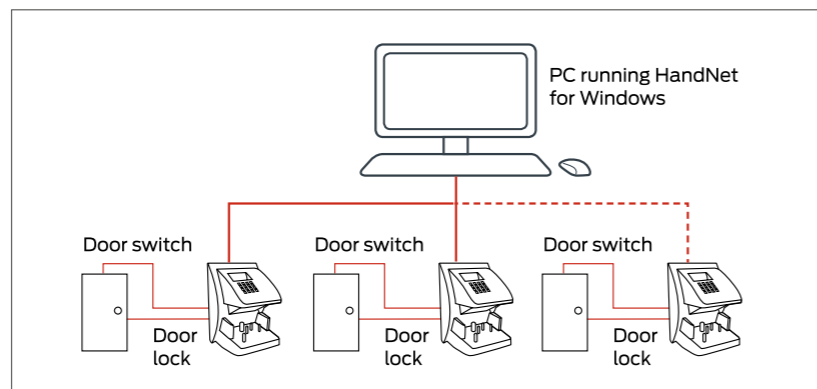
Relative humidity:

20% - 80% RH non condensing

Product features	HandKey II
Base memory	Base memory for 512 users
ID number length	1 - 10 digits
Duress code	1 leading digit - user definable
Communication	RS232: Baud rate 300 bps to 28,800 bps RS422: Baud rate 300 bps to 28,800 bps RS485: Baud rate 300 bps to 28,800 bps Optional Ethernet: 10 Base T
Template size	9 bytes
User memory	512 users - expandable up to 32,512 users
Inputs	Standard: 26 bit, 9 bit ID Wiegand Optional: Mag stripe, bar code, smart card HandKey input: Request-to-Exit, door switch input 2 auxiliary inputs
Outputs	Door control: Lock output Card reader emulation mode: Weigand, mag stripe, bar code 1 programmable auxiliary Outputs to peripheral devices: Audible or silent alarms, door locks, lighting systems
Event monitoring	Tamper: HandKey opened or removed ID refused: User not verified (definable no. of tries) Duress: User entered duress code digit Power failure: Switched to optional battery power
Programmable commands	Add/remove users Set global operating thresholds Set individual user data (authority, time zones) Transmit data from master to remote Data received by master from remote Transmit/receive data from optional software Check door status: Tamper, door monitor switch Time zones: 62 total (2 fixed; 60 programmable) Set language Set date, time Edit holidays



HandKey II
Stand-Along application



HandKey II
Typical network application

HandPunch F Series - Biometric Time & Attendance



Product features	HandPunch 1000	HandPunch 1000E	HandPunch 2000	HandPunch 3000	HandPunch 4000
No. of Users	50 - upgrade to 512	100 - non expandable	512 - non expandable	512 - upgrade to 32, 512	530 - upgrade to 3,498
Break compliant					■
Programmable keys	None	None	2 keys	2 keys	10 keys
Door control				■	■
Other functions	-	-	-	Global scheduling	Individual scheduling and employee messaging Hand held barcode scanner (optional on HP4000)
Memory retention	Up to 5 years via the standard internal lithium battery				
Transaction storage	5120 transactions				
ID number length	1 - 10 digits from keypad or card				
Template size	9 bytes				
User record size	Standard units 16 bytes				
Communications	RS485 (4 wire) RS232 serial printer support or PC communication				
Baud rate	300 to 28.8Kbps				
Card reader input	Proximity, Wiegand, mag stripe, bar code (5V DC provided by HandReader)				
Card reader outputs	Wiegand, mag stripe, bar code				
Door controls	Door lock output (sinks 0 - 24V DC, 100mA max); Door switch monitoring; Bell ring output (sinks 0 - 24V DC, 100mA max)				
Time zones	60 user definable time zones				

HandKey II & HandPunch

Product Ref:	Description
HK2	HandKey II with memory for 512 users
HP1000	HandPunch 1000 with memory for 50 users
HP1000E	HandPunch 1000 with Ethernet, memory for 100 users. Memory not expandable
HP2000	HandPunch 2000 with memory for 512 users, Memory not expandable
HP3000	HandPunch 3000 with memory for 512 users. Expandable memory up to 32,512
HP4000	HandPunch 4000 with memory for 530 users. Break compliant. Memory expandable up to 3,498 users
HP4000S	HandPunch 4000 with memory for 530 users. Break compliant. Memory expandable up to 3,498 users. Includes hand held bar code scanner

Product Ref:	Upgrades
EM701	HP - 1000 Memory expansion from 50 to 100 users
EM702	HP - 1000 Memory expansion from 50 to 512 users
EM703	HP - 1000 Memory expansion from 100 to 512 users
EM801	HP - 3000 Memory expansion to 9,728 users
EM803	HP - 3000 Memory expansion to 32,512 users
EM805	HP - 3000 - XL & HP - 4000 Memory expansion to 3,498 users
EN201	HandPunch F Series internet comms module
HN 2T1	All Models - Handnet for Windows software. Tier Two 6 to 25 readers HN-0201
HN 2T2	HP-100 Memory expansion from 50 to 512 users
HN 2T3	All Models - Handnet for Windows software. Tier Three 26 and more readers HN-0201
HN T1 T2	All Models - Tier upgrade: T1 - T2 enables 6 to 25 readers 1
HN T1 T3	All Models - Tier upgrade: T1 - T3 enables unlimited readers 1
HN T2 T3	All Models - Tier upgrade: T2 - T3 enables unlimited readers 1

Product Ref:	HandKey and HandPunch Options
INTHTR	Outdoor platen heater: Factory option only. Includes 24V DC power supply to operate HandPunch
FXENCL	Polyethylene with UV resistant outdoor enclosure
TXENCL	Metal watertight enclosure
PS220UK	Power Supply. 220 V AC to 13.5 V DC with connector for UK style plugs
PS220	Power Supply. 220 V AC to 13.5 V DC with connector for Euro style plugs
BB250	Battery backup available only at the time of initial purchase



Product Ref:	Card Reader & Keypad Options
PROX	Externally mounted HID ProxPoint RF Reader
SC100	Integrated side mounted MIFARE smart card reader with external clear acrylic card holder
ICLASS	Internally installed iCLASS reader with external clear acrylic card holder
CR2	Mag stripe card reader - wall mount

Product Ref:	Network and Other Accessories
DC102	Data Converter for 4 wire system, RS-232 to RS-422 with 120V, 50 Hz power supply
DC102220	Data Converter for 4 wire system, RS-232 to RS-422 with 220V, 50 Hz power supply
DC200	Data Converter for 4 wire system, USB to RS-422
BG200	Demo Bag for E, F and G-Series readers
BR100	5V Relay
DS200	Demo Stand for F-Series and G-Series readers
S-BB-BAT	Operational Battery Backup for readers with serial numbers higher than 1362000, - Spare Battery for BB-250
BB200	Battery backup for readers with serial 1345000 or lower
BB-3K	Field Upgradeable Battery Backup for HP-3000 (includes new main board with circuitry and battery)
BG200	Demo Bag for E, F and G-Series readers
BR100	5V Relay
DS200	Demo Stand for F-Series and G-Series readers
TM100	Table-Top Secure Mount for F-Series
SPRF00F3	EPROM Upgrade current F-Series

Product Ref:	Spares and Parts
SPC1000F3	Spare Main Board for HP-1000
SPC1000E	Spare Main Board for HP-1000-E
SPC2000F3	Spare Main Board for HP-2000
SPC3000F3	Spare Main Board for HP-3000
SPC4000F3	Spare Main Board for HP-4000
SPCHK2 F3	Spare Main Board for HK2
DKPF10	Keypad for HP1000 & 1000E
DKPF16	Keypad for HP3000 & 2000
DKPF20	Keypad for HP4000

Multi-technology readers

Versatile multi-technology readers

Schlage® multi-technology readers are designed to simplify your access control solutions. They enable you to upgrade your system from proximity or magstripe to smart card technology at your own pace without having to change out readers as new technologies are available. The flexibility of Schlage multi-technology readers makes your next upgrade in technology simple and seamless.



PR10 Proximity Reader **SM10** Smart Reader **MT11** Multi-technology Reader **MT15** Multi-technology Reader **MTK15** Multi-technology Reader with Keypad



MTMS15 Multi-technology Magstripe Reader **MTMSK15** Multi-technology Magstripe Reader with Keypad



The quick connect wiring harness facilitates a quick and easy installation without the need to wire into the reader or controller. Just plug and go.



Schlage readers are already NFC compatible and able to communicate with NFC-enabled phones whenever you're ready to take that step.

Schlage multi-technology readers use an open architecture platform designed to work with industry standards and common access control system interfaces. Multiple Schlage reader form factors are designed to fit a variety of placement needs, with an attractive modern design which will complement any facility's architecture and décor.

Schlage readers are very easy to install with the quick-connect cable and a standard wiring color scheme that most technicians are already accustomed to.

Schlage multi-technology readers include magnetic stripe readers which are versatile enough to read magnetic stripe, 125 kHz proximity and 13.56MHz contactless smart cards in a single unit. Schlage multi technology readers handle all applicable ISO standards (14443A, 14443B, 15693), and are FIPS 201-1 compliant. These readers interface with smart credentials (MIFARE® Classic and MIFARE® DESFire™ EV1), and can read the card serial numbers of a variety of smart cards from other manufacturers.

Multi-technology readers

Features & Benefits

- Accommodates interior, exterior, metal, and non-metal installation environments
- Recognizes most proximity credentials, and Schlage smart credentials (MIFARE Classic, MIFARE Plus and MIFARE DESFire EV1)
- FIPS 201 compliant
- NFC compatible, reads Schlage and aptiQ® mobile credentials
- Quick-connect cable allows for easy installation
- Simple wiring – color scheme is identical to most readers in the market
- Easy-to-install mounting bracket
- Tri-state LED (red, green, amber) visual indicator and audio feedback representing status and activity information, easily discernible for the audibly or visually impaired
- Wiegand output for simple interface with most access control panels
- Multiple reader cover color options
- Multi-technology readers may also be ordered with RS-485 capability
- Manufactured in PBT polymer and available in 4 colour options. Please note, lead times may apply for non standard colours



Supported Technologies (in default mode)



Technologies	Model Reference						
	PR10	SM10	MT11	MT15	MTK15	MTMS15	MTMSK15
Magnetic stripe						■	■
Schlage Proximity	■		■	■	■	■	■
XceedID® Proximity	■		■	■	■	■	■
HID® Proximity	■		■	■	■	■	■
BE/CASI Prox Lite®	■		■	■	■	■	■
AWID® Proximity	■		■	■	■	■	■
LenelProx®	■		■	■	■	■	■
Schlage/aptiQ mobile		■	■	■	■	■	■
Schlage/aptiQ/XceedID smart cards using MIFARE Classic		■	■	■	■	■	■
Schlage smart cards using MIFARE Plus		■	■	■	■	■	■
Schlage smart cards using MIFARE DESFire EV1		■	■	■	■	■	■
DESFire® CSN		■	■	■	■	■	■
HID iCLASS® CSN		■	■	■	■	■	■
Inside Contactless PicoTag® CSN		■	■	■	■	■	■
ST Microelectronics CSN		■	■	■	■	■	■
Texas Instruments Tag-It® CSN		■	■	■	■	■	■
Phillips I-Code® CSN		■	■	■	■	■	■

■ Feature as standard

Testing and Certification

Schlage readers handle all applicable ISO standards (14443A, 14443B, 15693), are FIPS 201 compliant and are versatile enough to read 125 kHz proximity and 13.56 MHz contactless smart cards in a single unit.

Schlage multi-technology readers interface with Schlage smart credentials (MIFARE Classic®, MIFARE Plus® and MIFARE® DESFire® EV1) and can read the card serial numbers (CSN) of a variety of smart cards from other manufacturers.

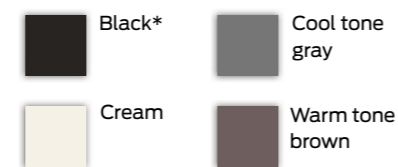
All readers are CE marked and have FCC and IC Certification.

All readers are UL 294 listed and conform to the European Radio Equipment Directive.

Rated IP65



Colour options



* supplied as standard

Multi-technology readers - Quick Selector



Product features	Model Reference				
Reader type	Proximity mini mullion	Smart mini mullion	Multi-technology mullion	Multi-technology single gang	Multi-technology with keypad
Reference	PR10	SM10	MT11	MT15	MTK15
Performance Level	1	2	1	2	3
Frequency	125 kHz	13.56 MHz	13.56 MHz + 125 kHz		
Read range	75mm	MIFARE Classic: 100mm MIFARE Plus: 38mm DESFire EV1: 51mm	Proximity: 127mm MIFARE Classic: 100mm MIFARE Plus: 25mm DESFire EV1: 51mm PIV credential: 65mm		
FIPS 201 compliant		■	■	■	■
Std default PIV output	n/a	75 bit PIV **			
Standards	n/a	ISO 14443A, 14443B, 15693			
Certifications	FCC Certification, IC Certification, UL 294 Listed, RED Directive (15 EU countries), CE				
Voltage	5 - 16V DC				
Power supply	Linear DC				
Current requirement @12 V DC & 25C; mAmps	Avg. 65 mA Peak 110 mA	Avg. 95 mA Peak 195 mA	Avg. 100 mA Peak 170 mA	Avg. 120 mA Peak 200 mA	Avg. 120 mA Peak 230 mA
System interfaces	Wiegand	Wiegand / Clock & Data	Wiegand / Clock & Data / RS 485 *** (OSDP)		
Cable specification	18 AWG, 5 conductor stranded/shielded				
Cabling distance	Wiegand output: 152m				
Dimensions (H x W x D)	108 x 44 x 21mm	108 x 44 x 21mm	150 x 44 x 21mm	129 x 83 x 19mm	129 x 83 x 19mm
Operating temperature	- 40° C to 70° C				



Multi-technology with magnetic stripe	Multi-technology with mag stripe and keypad	Reader type
MTMS15	MTMSK15	Reference
3	4	Performance Level
13.56 MHz + 125 kHz and magnetic stripe		Frequency
Proximity: 127mm MIFARE Classic: 100mm MIFARE Plus: 25mm DESFire EV1: 51mm PIV credential: 65mm		Read range
■	■	FIPS 201 compliant
		Std default PIV output
		Standards
		Certifications
		Voltage
		Power supply
Avg. 120 mA Peak 200 mA	Avg. 120 mA Peak 230 mA	Current requirement @12 V DC & 25C; mAmps
Wiegand / Clock & Data / RS 485 *** (OSDP)		System interfaces
18 AWG, 5 conductor stranded/shielded		Cable specification
Wiegand output: 152m		Cabling distance
112.5 x 131 x 29.2mm	112.5 x 131 x 29.2mm	Dimensions (H x W x D)
- 35° C to 67° C		Operating temperature

■ Feature as standard

** Other output options available through configuration
 *** RS 485 model numbers include "-485" after the model number

Product Ref:	Description	Finishes
PR10	Proximity mini mullion reader	
SM10	Smart mini mullion reader	Black (standard)
MT11	Multi-technology mullion reader	
MT15	Multi-technology single gang reader	Cream, Gray, Brown
MTK15	Multi-technology single gang reader with keypad	

Credentials

Comprehensive, multi-technology credentials

Schlage credentials feature mobile, smart, multi-technology and proximity technologies as well as a variety of form factors to meet the security needs of virtually any customer. Providing complete flexibility to transition from proximity to smart or even mobile technology at the customer's desired pace, Schlage credentials are available in a variety of designs to accommodate all needs. Additionally a variety of designs are available to accommodate a wide range of needs, including ISO card styles commonly used for name badges and key fobs. Schlage® now also offers SchlageMobile credentials, allowing you the convenience of using your phone as your credential.



Proximity credentials

Schlage® proximity technology offers your facility an easy and convenient access control solution.

Proximity technology, which operates on 125 kHz frequency, is easily integrated into existing legacy proximity systems and new installations.



Product features	Reference			
Credential type	Clamshell	ISO - Gloss white	ISO - Gloss white	Keyfob
Reference	7410	7510	7510M1	7610
Technology - ISO standard	125 kHz prox	125 kHz prox	125 kHz prox plus magstripe	125 kHz prox
Memory capacity	n/a	n/a	n/a	n/a
Dimensions (H x W x Th)	85 x 54 x 2mm	85 x 54 x 0.8mm	85 x 54 x 0.8mm	-
Slot punch	Vertical (punched)	Vert or Horizontal	Vert or Horizontal	Keyring

Which type of credential?

Offered in several different form factors, Schlage has the credentials to meet your needs.

- The clamshell style is highly durable and more ridged than the typical credit card, making this card ideal for harsh environments
- The ISO style card is similar in size and thickness to a credit card and has the ideal surface to print custom artwork, images, and photographs for identification. This card can also include a magnetic stripe
- The keyfob, now also offered in new thinner style, can be easily attached to any key ring for convenience
- The PVC disk credential can be adhered to any frequently used surface

Proximity credentials by Schlage are compatible with most industry leading proximity readers and are completely ISO compliant. These credentials also have a passive design, requiring no batteries or maintenance for the life of the card.



Product features	Reference		
Credential type	Self Adhesive PVC patch	Combo key fob proximity with iButton	Combo key fob proximity without iButton
Reference	7710	IBF-110	IBWB-110
Technology - ISO standard	125 kHz prox	125 kHz prox	125 kHz
Memory capacity	n/a	n/a	n/a
Dimensions (H x W x Th)	35mmØ	-	-
Slot punch	-	Key ring	Key ring

Credentials

Smart credentials

Schlage contactless smart credentials (MIFARE® and MIFARE DESFire™ EV1) put you in control by delivering smarter solutions. Storage options up to 64k bits will meet the most demanding storage requirements, and allow for a wide range of card applications to be utilized.

Aside from physical access, smart credential uses could include transit and point of sale applications, such as cashless vending and cafeteria services.

Schlage smart credentials operate on 13.56 MHz frequency and utilize high security encrypted data, which is mutually authenticated in communication between the card and reader, providing optimum security.



Product features					
Credential type	Clamshell	Clamshell	Key fob	PVC patch	PVC patch
Reference	9420	9451	9651	9751	9758
Technology - ISO standard	MIFARE Lite ISO 14443	MIFARE Classic ISO 14443	MIFARE Classic ISO 14443	MIFARE Classic ISO 14443	MIFARE Classic ISO 14443
Memory capacity	2.5k bit	8k bit/1K byte	8k bit/1K byte	8k bit/1K byte	32k bit/4K byte
Dimensions (H x W x Th)	85 x 54 x 2mm	85 x 54 x 2mm	51 x 31 x 7mm	35mm Ø	35mm Ø
Slot punch	Vertical (punched)			Self adhesive	Self adhesive



Product features			
Credential type	Clamshell	ISO - Gloss white	ISO - Gloss white
Reference	8420/8440/8480	8520/8540/8580	8520M1/8540M1/8580M1
Technology - ISO standard	MIFARE DESFire EV1	MIFARE DESFire EV1	MIFARE DESFire EV1 Plus Magstripe
Memory capacity	8420 - 2k bytes 8440 - 4k bytes 8480 - 8k bytes	8520 - 2k bytes 8540 - 4k bytes 8580 - 8k bytes	8520M1 - 2k bytes 8540M1 - 4k bytes 8580M1 - 8k bytes
Dimensions (H x W x Th)	85 x 54 x 2mm	85 x 54 x 0.8mm	85 x 54 x 0.8mm
Slot punch	Vertical (punched)	Vert or Horizontal	Vert or Horizontal



Product features						
Credential type	ISO - Gloss white			ISO - Gloss white		
Reference	9520	9551	9558	9520M1	9551M1	9558M1
Technology - ISO standard	MIFARE Classic ISO 14443			MIFARE Classic Plus Magstripe ISO 14443		
Memory capacity	2.5k bit	8k bit/1K byte	32k bit/4K byte	2.5k bit	8k bit/1K byte	32k bit/4K byte
Dimensions (H x W x Th)	85 x 54 x 0.8mm			85 x 54 x 0.8mm		
Slot punch	Vert or Horizontal			Vert or Horizontal		



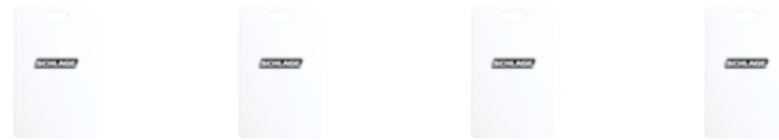
Product features		
Credential type	Key fob	PVC patch
Reference	8620/8640/8680	8720/8740/8780
Technology - ISO standard	MIFARE DESFire EV1	MIFARE DESFire EV1
Memory capacity	8620 - 2k bytes 8640 - 4k bytes 8680 - 8k bytes	8720 - 2k bytes 8740 - 4k bytes 8780 - 8k bytes
Dimensions (H x W x Th)	51 x 32 x 7mm	35mm Ø
Slot punch	Key ring	Self adhesive

Credentials

Multi-technology credentials

Schlage® multi-technology credentials are extremely flexible. Particularly useful during a transition from proximity technology to smart technology, this card can be read by both proximity readers and smart readers, which allows customers to economically migrate to the latest in smart technology at their own pace.

This type of credential is only available in an ISO style card.



Product features				
Credential type	ISO - Gloss white	ISO - Gloss white	ISO - Gloss white	ISO - Gloss white
	9951	9958	9951M1	9958M1
Technology - ISO standard	125 kHz Prox and 13.56 MHz MIFAREClassic ISO 14443		125 kHz Prox and 13.56 MHz MIFAREClassic Plus Magstripe ISO 14443	
Memory capacity	8k bit/1K byte	32k bit/4K byte	8k bit/1K byte	32k bit/4K byte
Dimensions (H x W x Th)	85 x 54 x 0.8mm	85 x 54 x 0.8mm	85 x 54 x 0.8mm	85 x 54 x 0.8mm
Slot punch	Vertical or horizontal			
Warranty	Credentials have a lifetime warranty against manufacturing defects			



Product features			
Credential type	ISO - Gloss white	ISO - Gloss white	ISO - Gloss white
	8920	8940	8980
Technology - ISO standard	125 kHz Prox and 13.56 MHz MIFARE DESFire EV1 ISO 14443		
Memory capacity	2K byte	4K byte	8K byte
Dimensions (H x W x Th)	85 x 54 x 0.8mm	85 x 54 x 0.8mm	85 x 54 x 0.8mm
Slot punch	Vertical or horizontal		
Warranty	Credentials have a lifetime warranty against manufacturing defects		

SchlageMobile - Using your smart phone as your credential

Utilizing near field communication (NFC) technology, SchlageMobile™ turns a smart phone app into an ID card. It provides the convenience of using a phone for access control and anything else your ID card is used for today.

Not only is it convenient, but a SchlageMobile credential offers a higher level of security than the average ID card, including advanced encryption.

Features & Benefits

- SchlageMobile works with any phone carrier*
- Eliminates need to print ID's and keep inventory of cards on hand
- Painless replacement of lost cards anytime or anywhere
- Screen lock feature on phone keeps credential safe if phone is lost or stolen
- Credential information stored in same memory location as other app passwords and sensitive information
- Uses a 128 bit AES encrypted credential
- Anti-playback technology prevents cloning

* NFC case required for Apple devices



Product Ref:	Description
9100	SchlageMobile virtual credential

How does it work

SchlageMobile credentials can be used on the same readers that Schlage smart cards are used on. This enables a facility to migrate to mobile credentials easily or issue mobile credentials to some employees while giving other users conventional credentials.

SchlageMobile credentials can be assigned using existing access control software2 or with the web-based SchlageMobile Admin Portal. Mobile credentials are created and issued by the account administrator via the SchlageMobile cloud service. Then the user downloads the free SchlageMobile app and verifies their identity before downloading the secure credential to their phone.

Compatibility

SchlageMobile can be used with all Schlage smart readers and multi-technology readers.

New mobile phones are launched regularly, most of which are expected to be compatible with the SchlageMobile technology provided they are NFC capable or are Android OS 4.4 or higher.

9500 Series - Electromagnetic Locks

The Briton 9500 Series is a high quality range of 'face to face' locking devices offering up to 545kg holding force. The range includes small footprint 'mini-mags' for lower security applications and a mortice mounted version for use with custom made architectural housings for single or double door applications.

As standard, 9500 Series electromagnets are suitable for outswing doors but can be converted for use on inswing doors using a series of Z and L brackets.



Features & Benefits

- Extruded aluminium housing with adjustable mounting bracket for quick and simple installation
- Holding forces of 270kg and 545kg per leaf
- Suitable for single swing doors
- All units are "fail unlocked" providing safe exit in the event of power failure or an emergency when interfaced to a fire alarm output
- Monitored and unmonitored versions where indicated
- Door status monitor (DSM) indicates when a door is open or closed when monitored remotely
- Steel armature is fixed through the door for a secure mounting
- Mortice version is designed for installation into architectural housings, either horizontal or vertical

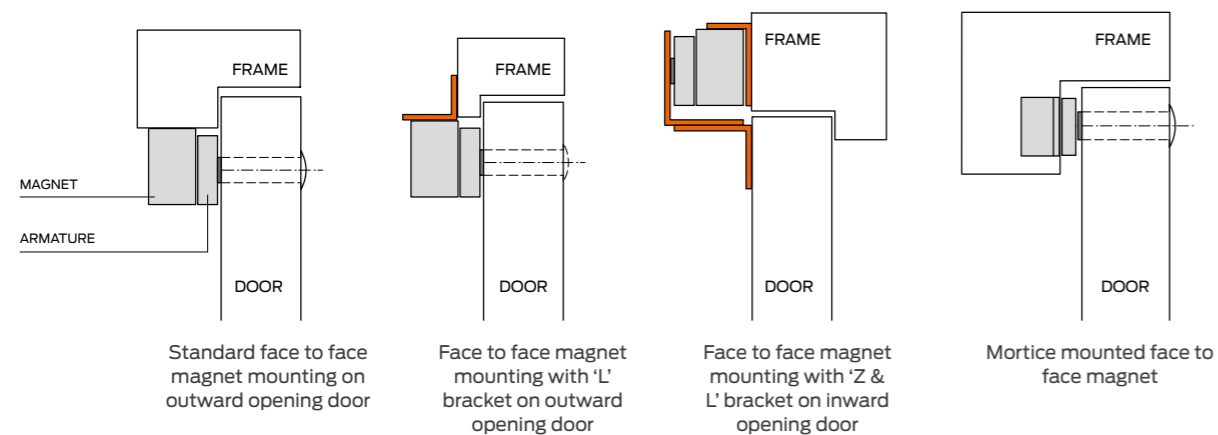
Specification

- Voltage - 12v or 24v DC (all models)
- Current draw
9501/9502/9551/9552
500mA @ 12v DC
250mA @ 24v DC
- Current draw 9560
480mA @ 12v DC
240mA @ 24v DC



Face to face magnet for use on double doors

Installation options



Testing & Certification

CE marked to EN61000 for Electromagnetic compatibility Directive 2014/30/EU

Full Declaration of Performance available from our website at:

www.britondops.co.uk



What's in the box?

- Electromagnetic lock
- Armature plate
- Lock mounting screws and armature mounting bolts
- Installation instructions

9500 Series - Electromagnetic Locks



9501

- Single face to face magnet
- Holding force 544kg
- Unmonitored
- Dimensions (H x L x D) 73 x 266 x 40

9501.M

- Single magnet
- Holding force 544kg
- Door Sense Monitor indicates when door is open or closed
- Dimensions (H x L x D) 73 x 266 x 40



9502

- Double face to face magnet
- Holding force 544kg per leaf
- Unmonitored
- Dimensions (H x L x D) 73 x 532 x 40

9502.M

- Double magnet
- Holding force 544kg per leaf
- Door Sense Monitor indicates when door is open or closed
- Dimensions (H x L x D) 73 x 532 x 40



9551

- Single face to face 'mini' magnet - unmonitored
- Holding force 227kg
- Dimensions (H x L x D) 42 x 250 x 25

9551.M

- Single face to face 'mini' magnet - monitored
- Holding force 544kg
- Door Sense Monitor indicates when door is open or closed
- Dimensions (H x L x D) 42 x 250 x 25



9552

- Double face to face 'mini' magnet - unmonitored
- Holding force 227kg per leaf
- Dimensions (H x L x D) 42 x 500 x 25

9552.M

- Double face to face 'mini' magnet - monitored
- Holding force 544kg per leaf
- Door Sense Monitor indicates when door is open or closed
- Dimensions (H x L x D) 42 x 500 x 25



9560

- Mortice mounted face to face magnet
- Holding force 270kg
- Unmonitored
- Dimensions (H x L x D)
Magnet 37.5 x 228 x 26
Armature 37.5 x 186 x 12



9501.ZL and 9551.ZL

A series of Z and L brackets for use with surface mounted magnets.

Technical specification	Product ref:		
	9501/9501M 9502/9502M	9551/9551M 9552/9552M	9560
Holding force	544kg per leaf	227kg per leaf	270kg
Voltage	12 or 24V DC	12 or 24V DC	12 or 24V DC
Current draw	500mA @ 12V DC 250mA @ 24V DC	500mA @ 12V DC 250mA @ 24V DC	480mA @ 12V DC 240mA @ 24V DC

Product ref.	Function/description	Finish
9501	Standard single face to face magnet - unmonitored	.SV
9501M	Standard single face to face magnet - monitored	.SV
9502	Standard double face to face magnet - unmonitored	.SV
9502M	Standard double face to face magnet - unmonitored	.SV
9551	Single face to face 'Mini' magnet - unmonitored	.SV
9551M	Double face to face 'Mini' magnet - monitored	.SV
9552	Single face to face 'Mini' magnet - unmonitored	.SV
9552M	Double face to face 'Mini' magnet - monitored	.SV
9560	Mortice mounted face to face magnet - unmonitored	.SV
9560MBS	Mortice mounted face to face magnet - monitored	.SV

Product ref.	Accessories	Finish
9501.L	L bracket for use with 9501/9502 magnets	.SV
9501.ZL	Z and L bracket set for use with 9501/9502 magnets for use on inward opening doors	.SV
9551.L	L bracket for use with 9551/9552 magnets	.SV
9551.ZL	Z and L bracket set for use with 9551/9552 magnets for use on inward opening doors	.SV

11000 Series - Electric Rim Locks

The CISA range of electric rim locks are suitable for inward or outward opening doors. They can be used with any Allegion access control interface to maintain door locking at doors which are not deadbolted.

The electric release mechanism maintains door security in the 'fail safe' condition.



11610.60.1 / 11610.60.2 / 11610.60.3 / 11610.60.4

- Electric rim latch with striker
- Inside push button operation to release latchbolt
- 60mm backset
- Model for inward or outward opening doors



11630.60.1 / 11630.60.2

- Electric rim latch with striker
- Inside push button operation to release latchbolt
- Hold-open function by key from inside
- Supplied with cylinder (to deactivate button if required and activate hold-open function)
- Suitable for inward opening doors only*
- 60mm backset



11721.60.1 / 11721.60.2

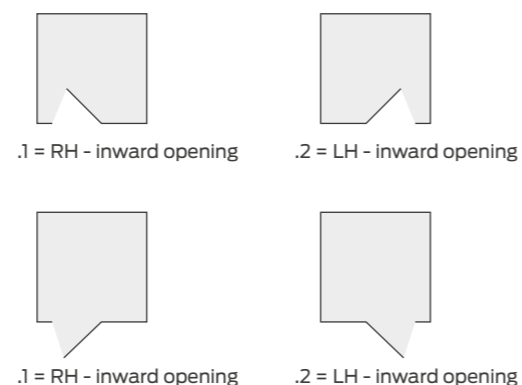
- Electric rim latch and striker with protective backplate
- Supplied with spacer
- Suitable for inward opening doors only
- 60mm backset

* versions are also available for outward opening doors on request.

Features & Benefits

- Certified to EN 14846 Security Grade 3
- Protective barrier on the coil area resists attempts at picking the lock release
- Dead-locking latch bolt provides protection against forced entry
- The button on the lock (on certain models) can be blocked by the key on the inside to provide a hold-open function (see table)
- Button can be temporarily deactivated if required
- Electric deadbolt ensures the lock can always be opened electrically even when the voltage drops
- Grey painted steel case and striker for timber door applications
- Zinc plated case and striker for external steel gates
- Supplied with or without cylinder for key override from outside

Handing



Testing & Certification

EN 14846:08 compliant - Grade 3 Security (500kg lateral thrust and 200kg front load)



What's in the box?

- Electric rim lock
- Striker
- Fixing screws
- 3 keys (1.01070.10.1)
- Installation instructions

11000 Series - Electric Rim Locks



11731.60.1 / 11731.60.2

- Electric rim latch and striker with protective backplate
- Inside push button operation to release latchbolt
- Hold-open function by key from inside
- Supplied with cylinder and spacer (to deactivate button if required and activate hold-open function)
- Available for inward opening doors only
- 60mm backset



11823.80.1 / 11823.80.2

- Electric rim latch and striker for automated up and over doors and gates
- Supplied with protective backplate
- Available for inward opening doors only
- 80mm backset



11921.60.1 / 11921.60.2 / 11921.60.3 / 11921.60.4

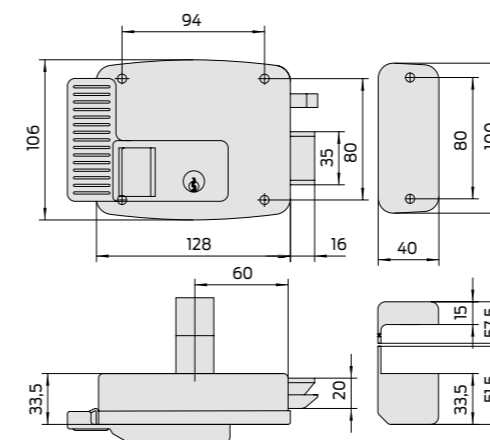
- Electric rim latch and striker
- Supplied with spacer
- Available for inward or outward opening doors
- 60mm backset



11931.60.1 / 11931.60.2 / 11931.60.3 / 11931.60.4

- Electric rim latch and striker
- Inside push button operation to release latchbolt
- Hold-open function by key from inside
- Supplied with cylinder (to deactivate button if required and activate hold-open function)
- Available for inward or outward opening doors
- 60mm backset

Product ref.	Description	Finish
11610.60.1	Electric rim lock with inside push button - RH inward opening	.SV/ZP
11610.60.2	Electric rim lock with inside push button - LH inward opening	.SV/ZP
11610.60.3	Electric rim lock with inside push button - RH outward opening	.SV/ZP
11610.60.4	Electric rim lock with inside push button - LH outward opening	.SV/ZP
11630.60.1	Electric rim lock with inside push button and hold-open c/w cylinder - RH inward opening	.SV/ZP
11630.60.2	Electric rim lock with inside push button and hold-open c/w cylinder - LH inward opening	.SV/ZP
11721.60.1	Electric rim lock with protective backplate & spacer RH inward opening	.SV/ZP
11721.60.2	Electric rim lock with protective backplate & spacer LH inward opening	.SV/ZP
11731.60.1	Electric rim lock with protective backplate & spacer, push button and hold-open - RH inward opening	.SV/ZP
11731.60.2	Electric rim lock with protective backplate & spacer, push button and hold-open - LH inward opening	.SV/ZP
11823.80.1	Electric rim lock for up and over doors, protective backplate - RH inward opening	.SV/ZP
11823.80.2	Electric rim lock for up and over doors, protective backplate - LH inward opening	.SV/ZP
11921.60.1	Electric rim lock with striker - RH inward opening	.SV/ZP
11921.60.2	Electric rim lock with striker - LH inward opening	.SV/ZP
11921.60.3	Electric rim lock with striker - RH outward opening	.SV/ZP
11921.60.4	Electric rim lock with striker - LH outward opening	.SV/ZP
11931.60.1	Electric rim lock with push button, hold-open -RH inward opening	.SV/ZP
11931.60.2	Electric rim lock with push button, hold-open -LH inward opening	.SV/ZP
11931.60.3	Electric rim lock with push button, hold-open -RH outward opening	.SV/ZP
11931.60.4	Electric rim lock with push button, hold-open -LH outward opening	.SV/ZP



all dimensions are in mm

Elettrika - Electric Gate Locks

Elettrika is an electrically operated lock by CISA and is an ideal solution for controlling the security of all types of doors and gates. The rotary hook deadbolt provides high resistance to forced entry and the self-adjusting striker ensures perfect gate closure over an extended period of time.

Elettrika is interchangeable with other electrically operated rim locks due to the common fixing position.



1A610

- Version for timber doors/gates
- Inside push button operation
- Outside rim cylinder operation
- Adjustable backset 50 - 80mm

Features & Benefits

- Rotary hook deadbolt provides high pull resistance up to 2,000kg, six times that of a standard lock
- Hook bolt reduces the gate 'rebound' during closing
- Electric release system is resistant to vibration and has high impact resistance
- Reloading system eliminates the need to slam the gate closed ensuring a quiet and durable operation
- Self-adjusting striker ensures the door/gate closes fully every time over an extended time period
- Non-handed design can be adapted to suit right or left opening doors/gates with a simple operation
- Patented variable backset from 50mm to 80mm
- Optional steel protective cylinder rose available
- Steel case prevents access to the lock's internal components and fixings when the gate is closed
- Zinc plated case also available with Dk grey epoxy powder coated finish for use on steel doors/gates

Operating modes

The rotary hook dead-bolt of Elettika can be operated in two different modes (patented system):

- **Automatic opening:** the door is opened by the deadbolt rotation
- **Ready to open:** the deadbolt is released but the door remains closed; you must push to open it.

The operation mode is selected by acting directly on the lock.



Testing & Certification

EN 14846:2008 compliant having undergone at least 200,000 opening and closing cycles.

EN 14846:2008 - Grade 6 Security

Tested to over 1,000,000 cycles demonstrates the constancy of performance.



What's in the box?

- Elettika gate lock
- Steel striker
- Single or double cylinder
- Fixing plates & screws
- 2 spacers for striker
- 3 keys as standard
- Installation instructions

Elettrika - Electric Gate Locks



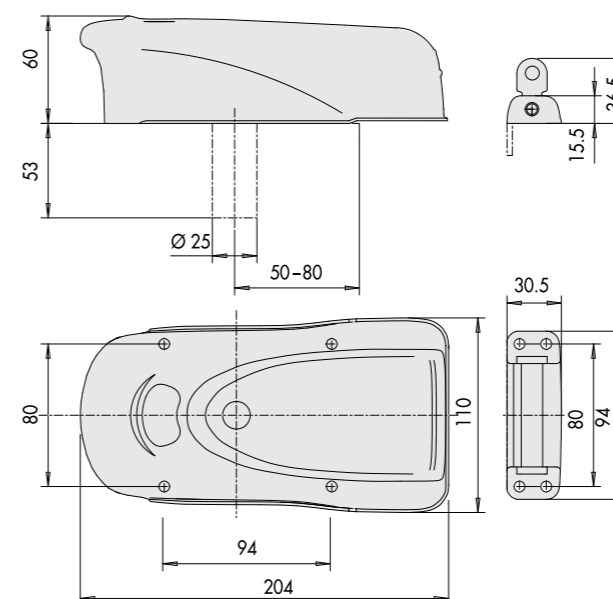
1A630

- Version for timber doors/gates
- Inside push button operation
- Built-in hold-open device
- Outside rim cylinder operation
- Adjustable backset 50 - 80mm
- Reversible for inward or outward opening doors/gates



1A721

- Version for steel doors/gates
- Supplied with backplate for lock and striker to be welded
- Outside rim cylinder operation to deactivate the push button function and activate hold-open function
- Adjustable backset 50 - 80mm
- Reversible for inward or outward opening doors/gates



Technical specification	Product ref:
	1A610 / 1A630
	1A721 / 1A731
Holding force	2,000kg
Voltage	12V AC
Absorbed current	3A



1A731

- Version for steel doors/gates
- Supplied with backplate for lock and striker to be welded
- Inside push button operation
- Built-in hold-open device
- Outside rim cylinder operation to deactivate the push button function and activate hold-open function
- Adjustable backset 50 - 80mm
- Reversible for inward or outward opening doors/gates

Product ref.	Description	Finish
1A610	Elettrika gate lock for timber door/gate with push button activation and outside cylinder	ZP
1A630	Elettrika gate lock for timber door/gate with push button activation, built-in hold-open function and outside cylinder	ZP
1A721	Elettrika gate lock for steel door/gate with push button activation and outside cylinder	ZP
1A731	Elettrika gate lock for steel door/gate with push button activation, built-in hold-open function and outside cylinder	ZP

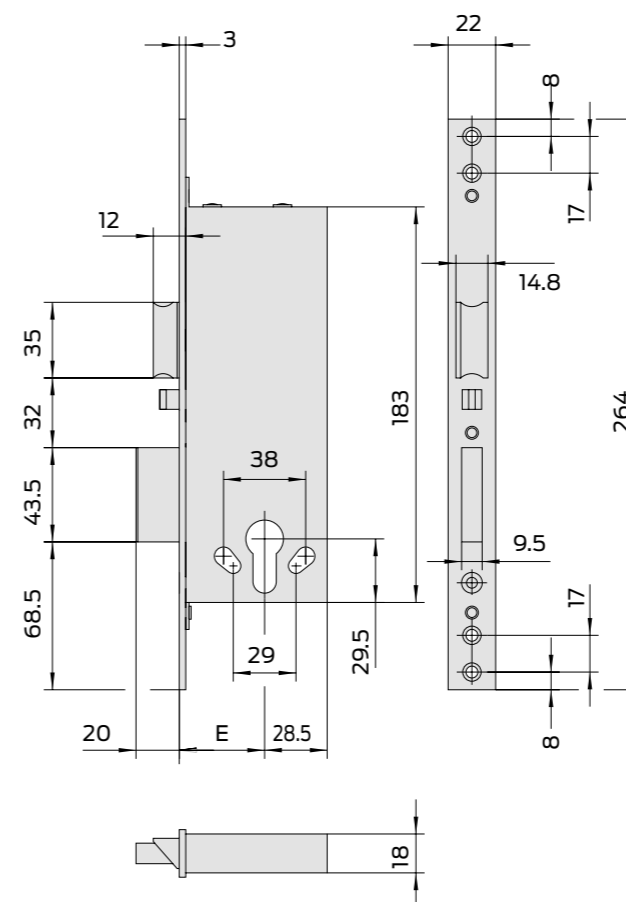
12010 Series - Electric Mortice Locks



CISA electric mortice locks provide door locking when used in conjunction with any Allegion access control system.

Principal Features & Benefits

- Sashlock function with latch and deadbolt
- Zinc plated steel case with satin brass forend and strike plate
- Reversible latch suitable for left and right hand applications
- Electric operation from outside or inside by push button to withdraw the latch
- Deadbolt is thrown and retracted by cylinder operation
- Compatible with all CISA cylinders
- 12V AC rated 2.8A



Backset [E] - Available in 40mm, 50mm and 60mm

all dimensions are in mm

Product ref.	Description	Finish
12010.40	Electric mortice sashlock - 40mm backset	SB
12010.50	Electric mortice sashlock - 50mm backset	SB
12010.60	Electric mortice sashlock - 60mm backset	SB
07009.00.0	Coil set for 12010 Series electric mortice locks	n/a

Testing & Certification

EN 12209 compliant - Grade 3 Security

Full Declaration of Performance available from our website at:

www.britondops.co.uk



What's in the box?

- Electric mortice lockcase
- Strike plate
- Fixings for lock and cylinder
- Installation instructions

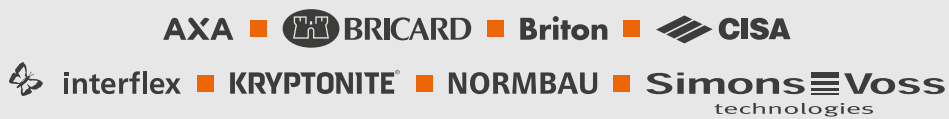
Cl/Sfb	(31.59)	X	
Uniclass	L4181		

May 2018

About Allegion

Allegion (NYSE: ALLE) is a global pioneer in safety and security, with leading brands like CISA®, Interflex®, LCN®, Schlage® and Von Duprin®. Focusing on security around the door and adjacent areas, Allegion produces a range of solutions for homes, businesses, schools and other institutions. Allegion is a \$2.4 billion company, with products sold in almost 130 countries.

For more, visit allegion.com



Allegion (UK) Limited

35 Rocky Lane
Aston
Birmingham
B6 5RQ

Tel: +44 (0) 121 380 2400
Email: contactuk@allegion.com
Web: allegion.co.uk